

ENG

# AIR MIXER

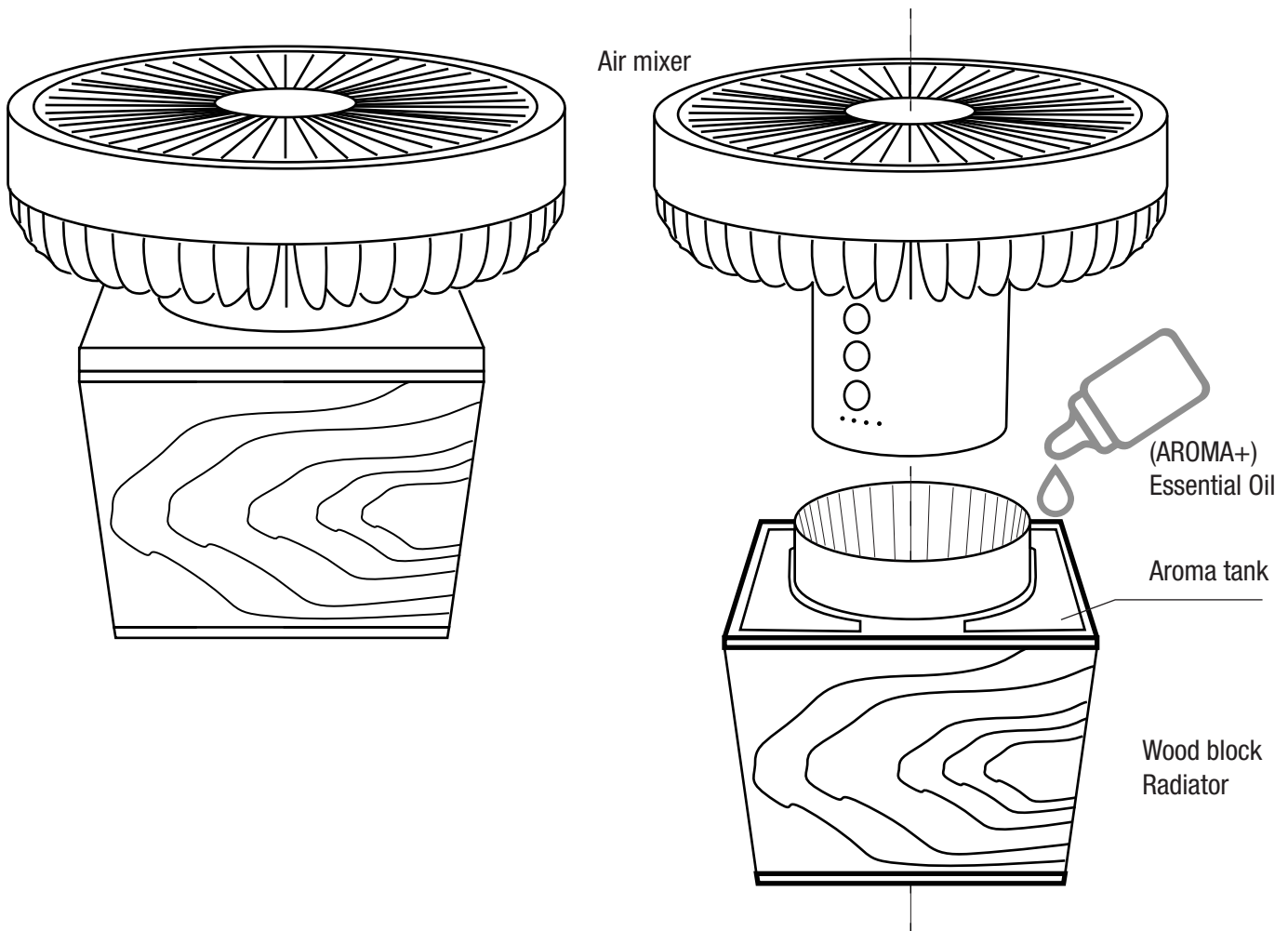
## MINI

### WIRELESS SAUNA AIR MIXER

When using in the sauna, it is necessary to set the fan strength to "3."

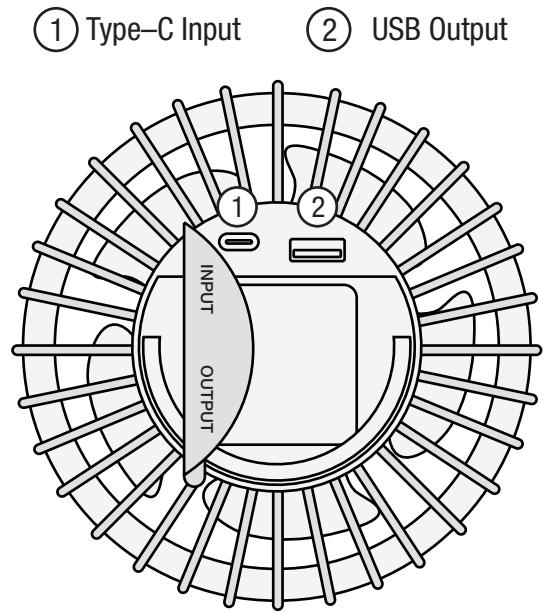
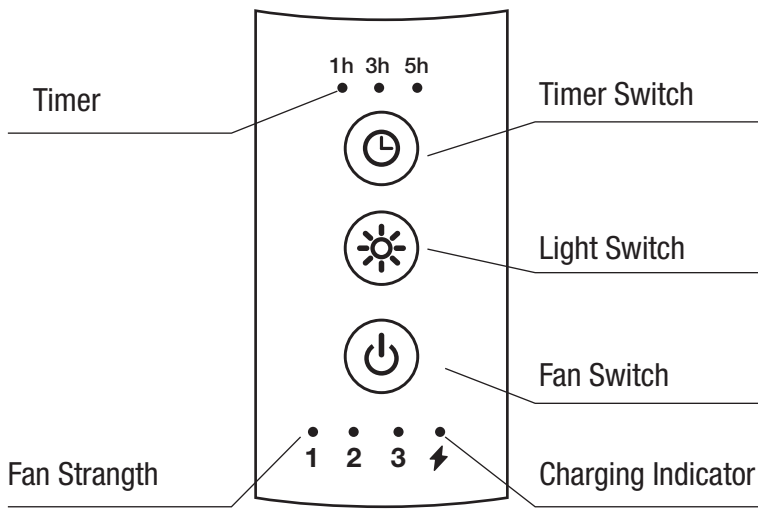
When using in the sauna, the mixer should be on the floor.

The intensity of the scent is regulated by sequentially filling the evaporation points of the flavorizer (2-10 drops).



#### Caution:

- Do not** insert hands or foreign objects into the air inlet and outlet to avoid injuries or possible product damage.
- Do not** disassemble, change or repair this product by yourself.
- Do not** charge the product with a voltage exceeding the specified voltage.
- Do not** put the product into or close to a fire source.
- Do not** charge this product on the surface of flammable objects such as carpets and quilts.



## Parameters

|                    |             |                   |                          |
|--------------------|-------------|-------------------|--------------------------|
| Power Input:       | DC5.0V/2.0A | Battery Capacity: | 10000mAh                 |
| Operating Current: | 0.3-1A      | Material:         | ABS/Silica/PCBA/Al alloy |
| Rated Power:       | ≤ 10w       | Product Size:     | 180 x 180 x 120 mm       |
| Product Weight:    | 730g        |                   |                          |

Made in China

## Fan functions

- Press the on key for the first time → Silent mode
  - Press the on key for the second time → Intensive mode
  - Press the on key for the third time → Sauna mode
  - Press the on key for the fourth time → Power off
- Repeat cycle

## LED functions

- Press the on key for the first time → Low light
  - Press the on key for the second time → Medium light
  - Press the on key for the third time → Strong light
  - Press the on key for the fourth time → Light off
- Repeat cycle

## Timer functions

- Press the on key for the first time → 1H cycle
  - Press the on key for the second time → 3H cycle
  - Press the on key for the third time → 5H cycle
  - Press the on key for the fourth time → Timer off
- Repeat cycle

## Charging indicator

- The blue light stays on when the output USB is working
- The red light is on when charging
- The green light stays on when fully charged
- The red light flashes when the battery is low