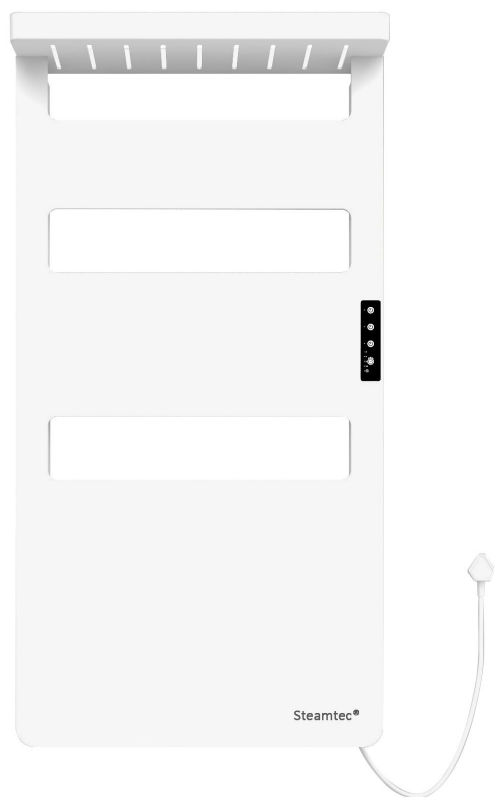


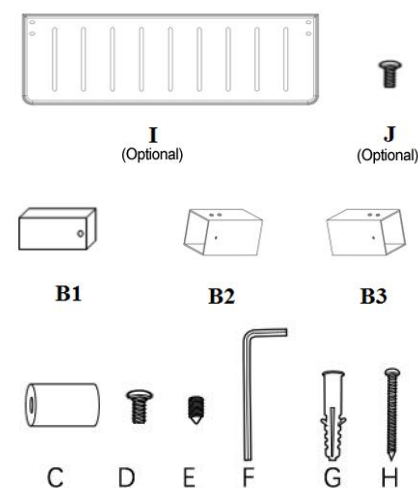
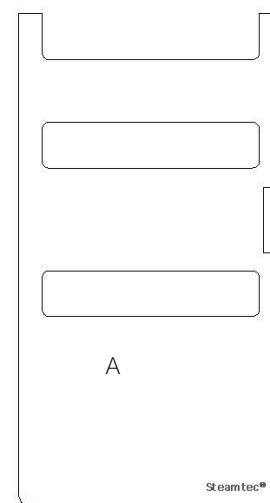
# Installation & Operation Manual for Steamtec Towel Warmers



## READ BEFORE USE

- Thank you for purchasing this towel warmer.
- Please read the instructions carefully before attempting to install, operate or service the product. Please keep this booklet for future reference. Pictures for reference only, subject to our available products.

## SCOPE OF DELIVERY



- |                                 |                                                      |
|---------------------------------|------------------------------------------------------|
| A: Towel Warmer ×1              | B: Bracket ×4 (B1×4 or B1×2+B2×1+B3×1)               |
| C: Round tube ×4                | D: Screw (M4*12) ×4 (For connecting A&B)             |
| E: Screw ×4 (5mm, hex)          | F: Wrench ×1 (hex key)                               |
| G: Expansion tube ×4            | H: Screw ×4 (For tightening C)                       |
| I: Storage plate × 1 (optional) | J: Screw (M4*8)×4 (For connecting B2/3&I) (optional) |

*Tips: If you have not select the shelving function, delivery does not include parts I, J, B2, B3.*

The radiant heat gently warms your towel or bathrobe, allowing you to wrap yourself in luxurious comfort as you step out of the bath or shower.

Included in this document are all necessary installation and operating instructions.

## CONTENTS

### 1 | Safety Introduction

### 2 | Cleaning Information

### 3 | Installation

### 4 | Product Information

### 5 | Operation

### 6 | Warranty

### 7 | Disposal

## 1 | SAFETY INTRODUCTION

- **WARNING:** This appliance can be used by children aged from 8 years and above and persons with reduced physical, sensory or mental capabilities or lack of experience and knowledge if they have been given supervision or instruction concerning use of the appliance in a safe way and understand the hazards involved.
- **WARNING:** Children shall not play with the appliance. Cleaning and user maintenance shall not be made by children without supervision.
- Never stand, sit on, or hang on the towel warmer unit.
- Install the towel warmer at least 600mm above the floor in order to avoid a hazard for very young children.
- Never allow children to play on or with the towel warmer.
- Make sure that the electrical circuit breaker is shut off at the main panel before wiring or servicing your towel warmer.
- The towel warmer must be properly grounded.
- All wiring must be in accordance with the electrical safety regulations (NEC, CEC, IEC, BS, AS/NZS etc.) of the countries in which it operate and should be performed by a licensed professional who is certified to do electrical wiring.
- Never place your towel warmer inside a shower, sauna, or steam room.
- Never use an extension cord (for plug-in model).

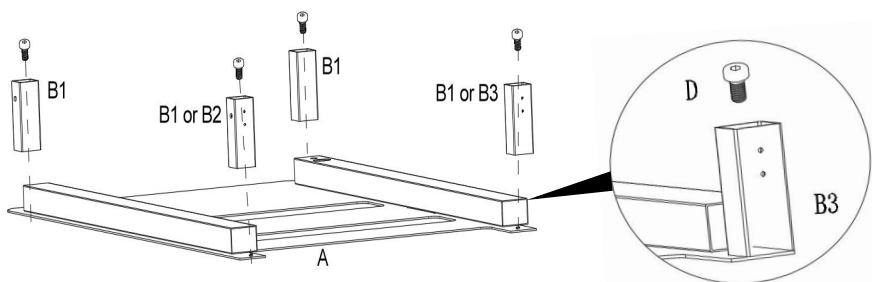
## 2 | CLEANING INFORMATION

- Ensure that the power supply to the towel rail is disconnected before any installation or maintenance.
- Clean the towel warmer with a soft, non-abrasive, damp cloth while warm.
- Once the towel warmer has cooled, lightly polish with a soft, dry cloth.
- Do not use abrasive cleaning powders, metal polish, or chlorine based cleaners on any part of the towel warmer.

## 3 | INSTALLATION

This appliance must be installed in accordance with the instructions in the manual and the IEC guidelines relating to electrical fixtures in bathrooms. The towel warmer must be on a GFCI-protected circuit and be wired by a professional who is certified to do electrical wiring.

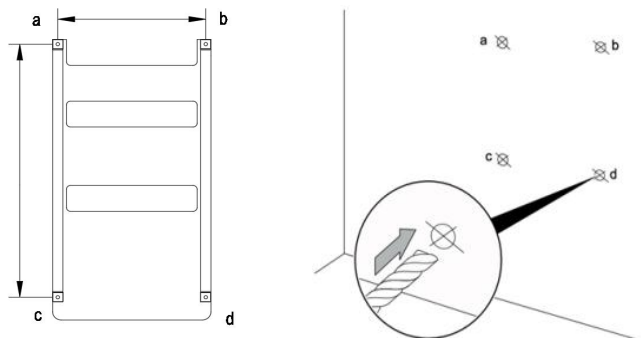
1. Affix bracket (B×4) to the towel warmer(A) using screw M4\*12 ( D)



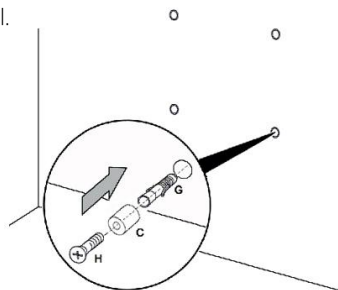
Tips:

When assembling B2 and B3, its double threaded hole must point to top outside, and its single threaded hole must point outwards on right outside or left outside

2. Affix the Towel Warmer to the Wall, Mark the bracket positions for the bore holes onto the wall. (You may also determine where to punch by measuring the distance of ab and ac)



3. Drill the holes. Insert the expansion tube (G) into 4 holes and use the screw (H) to tighten the Round tubes (C) onto the wall.

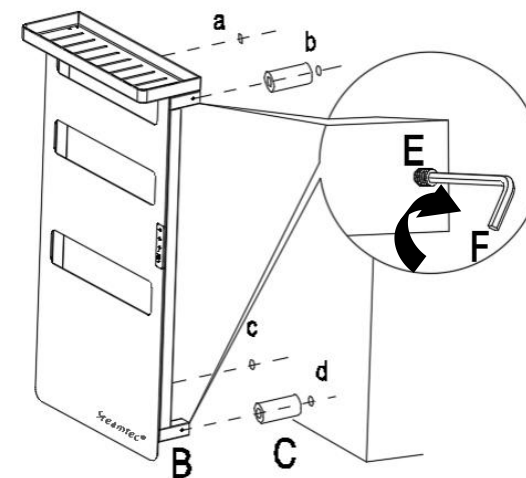


4. Affix Storage plate (I) to the Bracket (B2/B3) using screw M4\*8 ( J).

The diagram shows a storage plate (I) with vertical slats being attached to the brackets (B2/B3) on the towel warmer. Screws (J) are used to secure the plate to the brackets. A dashed box surrounds this diagram.

Tips:  
If you have not selected the storage plate, please skip this step.

5. Affix the Towel Warmer to four Round tubes (C) and tighten the screw (E) on the Bracket (B) using Wrench (F).



**WARNING:**

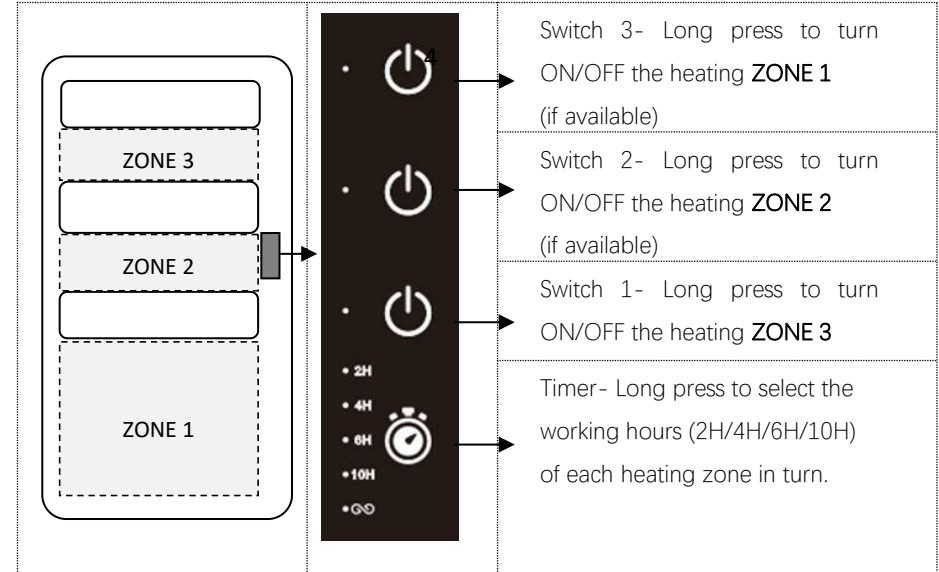
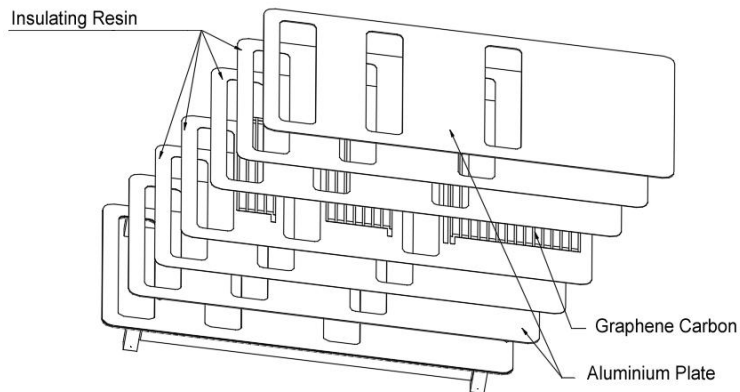
Measure all dimensions before installation.  
The towel warmer only must be installed less than 6 feet (183cm) from properly grounded outlet. Do NOT use an extension cord.

## 4 | PRODUCT INFORMATION

### TECHNICAL DATA

Shape					
Size	460×900	460×780	460×710	460×590	460×440
Thickness	85mm	85mm	85mm	85mm	85mm
Power	160Watts	160Watts	130Watts	130Watts	85watts
Feature	4 hanging 3 heating	3 hanging 3 heating	1 shelf 2 hanging 2 heating	2 hanging 2 heating	1 shelf 1 hanging 1 heating
Material	Mainly Aluminum				
Heating element	Graphene carbon				
Switch	Electronic or Mechanical Switch				
IP grade	IP54				

### TECHNICAL DATA



## 5 | OPERATION

### „Mechanical Model

With your Mechanical model secured to the wall and plugged into a grounded outlet, you are now ready to enjoy your towel warmer. Use the ON/OFF switch located on the bottom left side (when facing the towel warmer) to control when you want the unit to warm.

When the switch is ON, the towel warmer runs at 100% power and will reach temperatures between 100° F and 140° F depending on the following: running time, number of towels, type of towels, and ambient room temperature.

### „Electronic Model

A towel warmer with electronic control unit include programmable timer and individual heating zone for luxurious and economical use of the towel warmer.



Warning

For optimum operation of your new towel warmer, we recommend placing no more than

three (3) towels at a time on the warmer. Place the towels in a way to maximize the contact area between the towel and the towel warmer.

6 | WARRANTY

THANK YOU FOR CHOOSING TO BUY THIS PRODUCT.

Customers can contact us for repairing or replacement of your appliance if it is found to be defective due to faulty materials, workmanship or function within 1 years of purchase or delivery.

We do not guarantee the repair or replacement of a product where a defect is the result of:

- Damage caused by not carrying out the recommended appliance maintenance.
- Accidental damage, faults caused by negligent use or care, misuse, neglect, careless operation or handling of the appliance which is not in accordance with our Operating Manual.
- Use of the appliance for anything other than normal domestic household purposes.
- Faulty installation.
- Repairs or alterations carried out by parties other than authorised agents.

If you are in any doubt as to what is covered by your guarantee, please do feel free to contact us.

7 | DISPOSAL



The icon with the crossed-out waste bin on waste electrical or electronic equipment stipulates that this equipment must not be disposed of with the household waste at the end of its life. You will find collection points for free return of waste electrical and electronic equipment in your vicinity. The addresses can be obtained from your municipality or local administration.

The separate collection of waste electrical and electronic equipment aims to enable the re-use, recycling and other forms of recovery of waste equipment as well as to prevent negative effects for the environment and human health caused by the disposal of hazardous substances potentially contained in the equipment.

## Warranty Card

NAME \_\_\_\_\_ TEL \_\_\_\_\_

ADD \_\_\_\_\_

MODEL \_\_\_\_\_ ORDER NO. \_\_\_\_\_

Date \_\_\_\_\_

Failure Description

\_\_\_\_\_